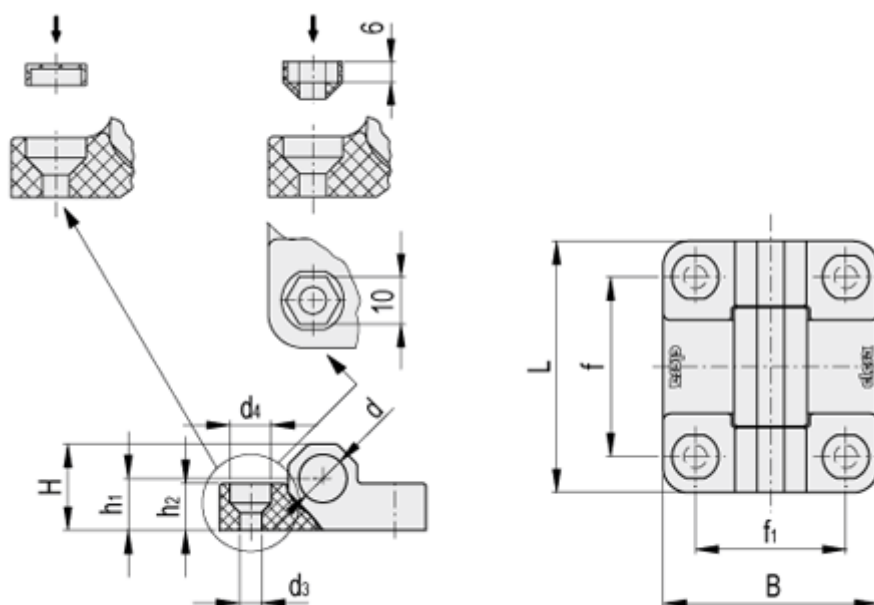


Article number: 2310425951

Description: E+G hinge CFMW
SUPER technopolymer (PA)

Measures



B = 60	h2 = 15
d = 13.5	L1 = 70
d3 = 7	
d4 = 12	
f = 50	
f1 = 42	
H = 25	
h1 = 15	